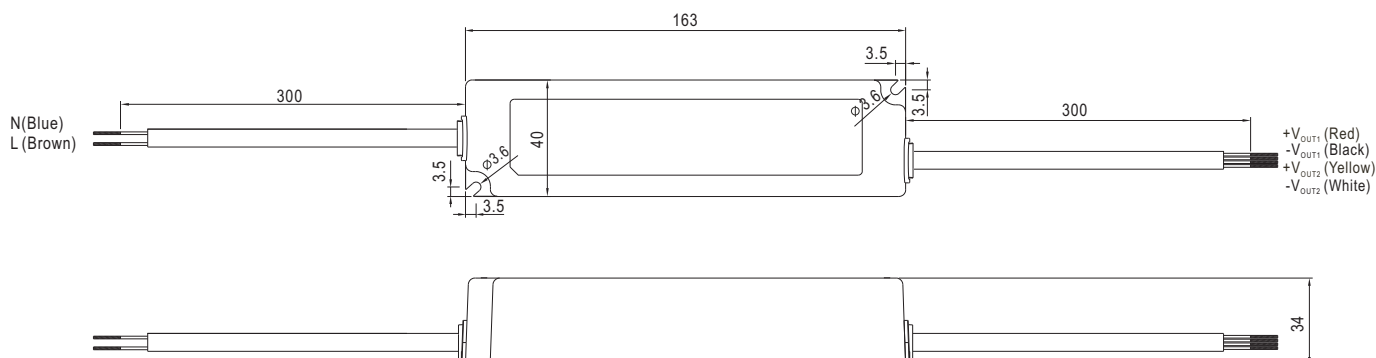


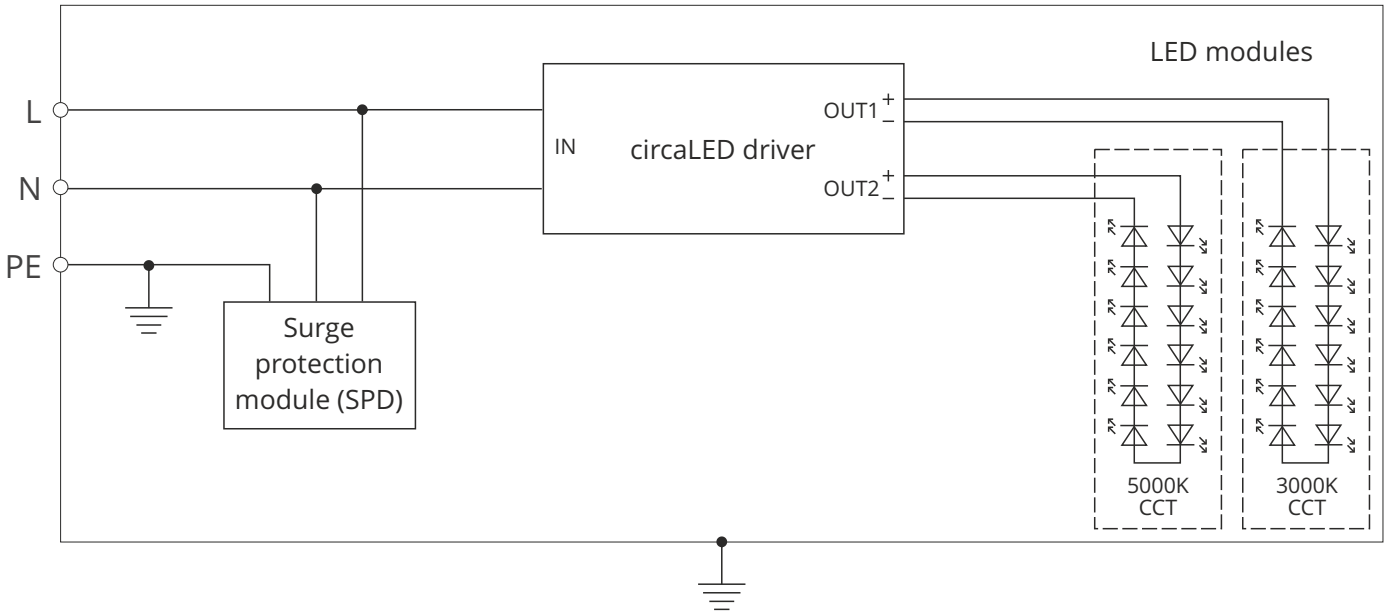


- ▶ For circadian-friendly systems
- ▶ NFC contact-less programming
- ▶ Universal input voltage up to 305V
- ▶ Tunable-white functions
- ▶ Dimming control functions
- ▶ Very high efficiency
- ▶ Very low ripple current (flicker)
- ▶ Class II compliant
- ▶ IP65 rated for damp conditions
- ▶ Dual channel output
- ▶ Protections: OVP, OTP, OCP, SCP

		Min.	Max.	Unit; Description
Input	Power		54	W; at full load
	Voltage	90	305	VAC
	Frequency	47	63	Hz
	PF	0.97	0.92	At full load
	Efficiency		0.89	At full load
	Max. units per B16A CB		12	pcs
Output	Voltage range	32	46	VDC
	Current range	0	1.05	A; per output
	Boundary voltage	30	54	VDC
	Ripple current	5		%
Protection	Over voltage	Shut down, restores after correcting and restart		
	Short circuit	Hiccup, restores after correcting and restart		
	Over current	Current limiting, restores after correcting		
	Over temperature	Shut down, restores after correcting and restart		
	Ingress rating	IP65		
	Appliance rating	Class II (double insulated)		
Environment	Ambient temperature	-25	+50	°C
	Max. case temperature		+75	°C
	Storage temperature	-40	+85	°C
Compliance	EMC, LVD, Safety	EN55015, EN61000-3-2, EN61347-2-13, 3kV I/O insulation		
Physical	Dimensions	163x40x34		mm
Other	Design LifeTime	50 000		h; At 90% Confident Level



Connection example of an outdoor LED luminaire



Block diagram

